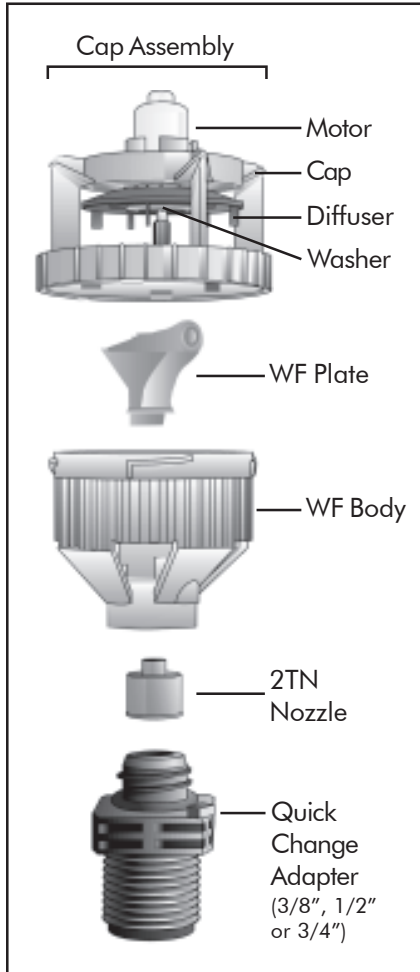


R2000WF ROTATOR® ASSEMBLY INSTRUCTIONS**ALWAYS BE SURE**

The Nozzle size is recommended for the plate.

Operating pressures are between 30 and 60 PSI (2 to 4 BAR)

Proper assembly is essential to product satisfaction.

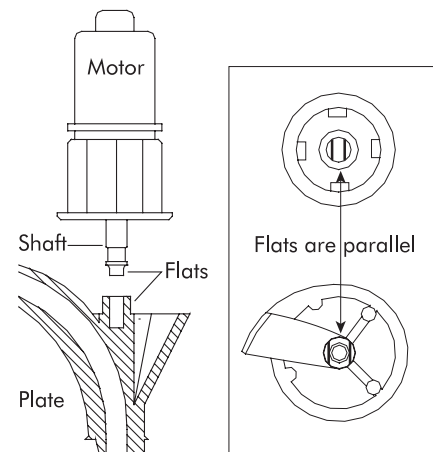
GENERAL ASSEMBLY

1. Assemble the plate per the plate assembly instructions on this page.
2. Fit the Cap over the body and twist together in a clockwise direction.
3. Place a 2TN nozzle into the WF body with the small end of the nozzle pointed towards the Cap.
4. Twist the body and the Quick Change Adapter together in a clockwise direction.

PLATE ASSEMBLY

- A. Place the Cap assembly in one hand and the WF plate in the other. Rotate the Cap assembly/motor or the plate until the flats of the motor shaft and plate are parallel as shown in Figure 1.
- B. Gently push the plate onto the shaft. The plate is correctly installed once you have felt two distinct "clicks" as you push the plate on. **Do not continue pushing after you have felt the plate snap into place. Damage to the plate and/or other parts may occur, resulting in unsatisfactory sprinkler operation.**

Figure 1

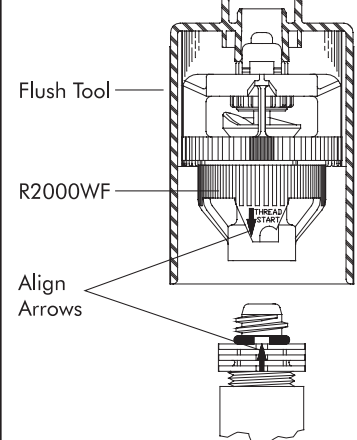


NOTE: Cap, washer, and diffuser are not shown to simplify the drawing.

Cleaning R2000WF Nozzles Under Pressure with the Flush Tool

To remove a R2000WF, push the Flush Tool over the sprinkler until it is fully engaged. Turn the Flush Tool counterclockwise. Once removed, disassemble the cap assembly from the WF body (see General Disassembly, Page 2) clear the nozzle orifice of plugging material, taking care not to scratch the internal surfaces of the nozzle. Then place the R2000WF back in the Flush Tool, noticing where the arrow labeled "THREAD START" is oriented. On the Acme Base you will notice a corresponding arrow, align the two when reattaching the R2000WF for the fastest engagement of threads. **Never insert a wire into the rotor plate to unplug the nozzle.**

Figure 2



GENERAL DISASSEMBLY

1. Remove the Cap from the body by squeezing the release points (the words SQUEEZE) while turning counter-clockwise. For easy removal, use the #10689 Cap



Removal tool. Position the tool (as shown on the left) to apply pressure to the words SQUEEZE.

2. Use the #10634 2TN nozzle removal tool to remove a 2TN nozzle. Firmly push the tool into the bottom of the nozzle. While pushing in, turn the tool clockwise ¼ turn, then pull outward to remove the nozzle. Grip the nozzle with pliers and turn counter-clockwise to remove the 2TN nozzle from the tool.



WARNING: Always use the #10634 tool to remove a 2TN nozzle from a R2000WF Rotator. Never use a stick, rod, or any other object to push on the outlet of the 2TN nozzle to remove. This can easily damage the plate bearing surface and cause rotation failure.

Plate Disassembly

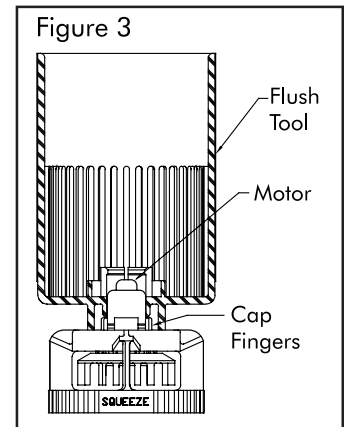
- A. In order to remove the WF plate you must first remove the Cap assembly from the WF body as described above.
- B. Place your fingers through the cap and under the plate and pry until it comes loose as shown below.



REPAIR

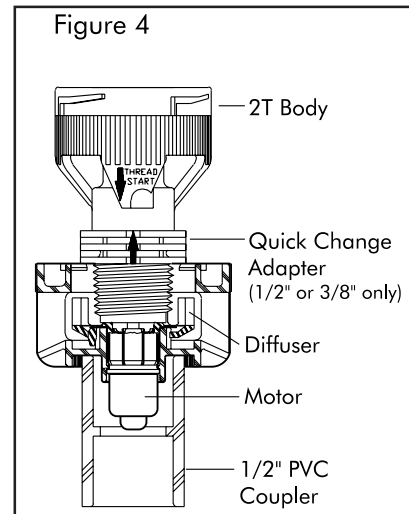
To Disassemble the Cap Assembly

1. Press the small end of the Flush Tool over the Motor housing to release the Cap fingers (See Figure 3).
2. Push the Motor out of the Cap with your hand.



To Assemble the Cap Assembly

- A. Place a 1/2" PVC coupler on a table.
- B. Place a Cap on the coupler as shown in Figure 4.
- C. Place the diffuser ring over the hub inside the cap.
- D. Place the retaining washer on top of the hub.
- E. Push the motor through the washer and diffuser and into the hub of the cap.
- F. Use a Quick Change Adapter (1/2" or 3/8") connected to a 2T body to snap the motor fully into place as shown in Figure 4.



WARRANTY AND DISCLAIMER: Nelson R2000WF Rotators are warranted for one year from the date of original sale to be free of defective material and workmanship when used within the working specifications for which the products were designed and under normal use and service. The manufacturer assumes no responsibility for installation, removal or unauthorized repair of defective parts and the manufacturer will not be liable for any crop or other consequential damages resulting from any defects or breach of warranty. THIS WARRANTY IS EXPRESSLY IN LIEU OF ALL OTHER WARRANTIES, EXPRESS OR IMPLIED, INCLUDING THE WARRANTIES OF MERCHANTABILITY AND FITNESS FOR PARTICULAR PURPOSES AND OF ALL OTHER OBLIGATIONS OR LIABILITIES OF MANUFACTURER. No agent, employee or representative of the manufacturer has authority to waive, alter or add to the provisions of this warranty nor to make any representations or warranty not contained herein. This product may be covered by one or more of the following U.S. Patent Numbers 4796811, RE33823, DES312865, 5058806, 5372307, 5875815 and other U.S. Patents pending or corresponding issued or pending foreign patents.