



R55i Gray Sprinkler with 1000P Valve

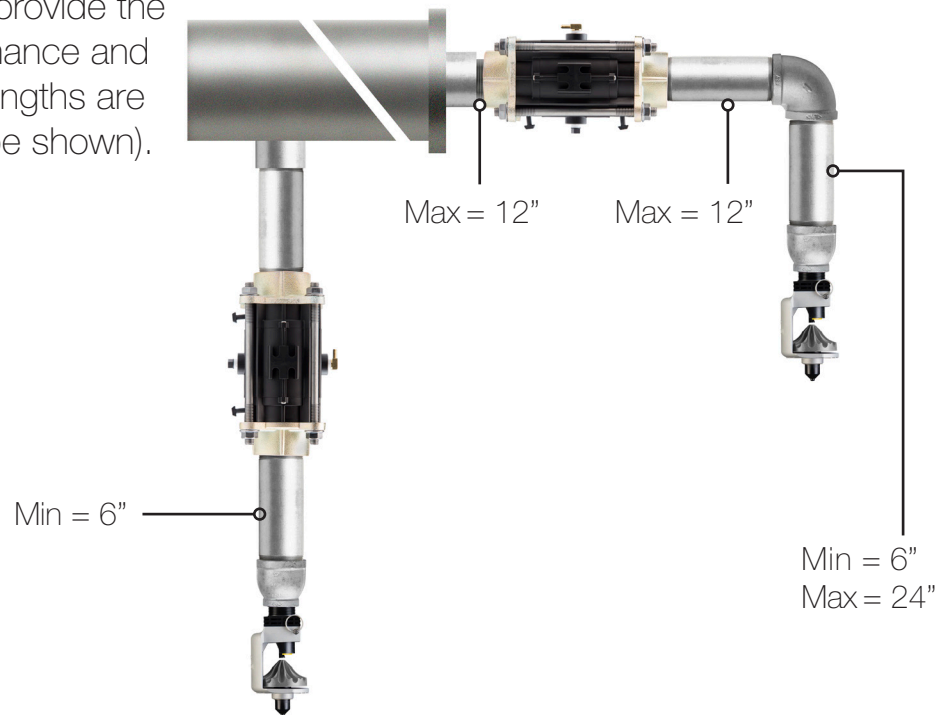
End of Pivot Plumbing Configuration

The lengths shown here are to provide the best sprinkler and valve performance and functional life. Allowable pipe lengths are independent of pipe size (2" pipe shown).

Allowable pipe lengths for R55i Gray sprinkler with 1000 Series End of Pivot Valves with **METAL** connections.

Valve Models:

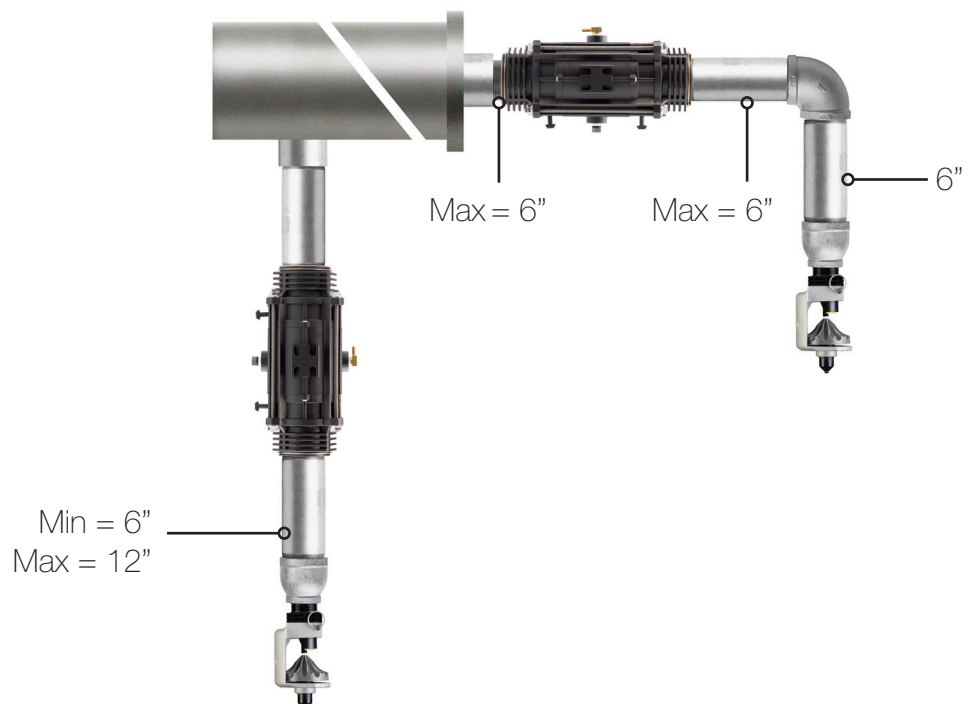
1000P-R
1000P-X
1000P-RX



Allowable pipe lengths for R55i Gray sprinkler with 1000 Series End of Pivot Valves with **PLASTIC** connections

Valve Models:

1000P-R
1000P-X
1000P-RX



WARRANTY AND DISCLAIMER: Nelson Irrigation's R55 and R75 End of Pivot Sprinklers and 1000 Series Valves are warranted for one year from date of original sale to be free of defective materials and workmanship when used within the working specifications for which the products were designed and under normal use and service. The manufacturer assumes no responsibility for installation, removal or unauthorized repair of defective parts. The manufacturer's liability under this warranty is limited solely to replacement or repair of defective parts and the manufacturer will not be liable for any crop or other consequential damages resulting from defects or breach of warranty. THIS WARRANTY IS EXPRESSLY IN LIEU OF ALL OTHER WARRANTIES, EXPRESS OR IMPLIED, INCLUDING THE WARRANTIES OF MERCHANTABILITY AND FITNESS FOR PARTICULAR PURPOSES AND OF ALL OTHER OBLIGATIONS OR LIABILITIES OF MANUFACTURER. No agent, employee or representative of the manufacturer has authority to waive, alter or add to the provisions of this warranty, nor to make any representations or warranty not contained herein. This sprinkler may be covered by one or more of the following U.S. Patent Numbers **6,814,305** and **6,827,291** and other U.S. Patents pending or corresponding issued or pending foreign patents.



Nelson Irrigation Corporation
848 Airport Road,
Walla Walla WA 99362 U.S.A.
Tel: 509.525.7660
nelsonirrigation.com



R55 or R75 Sprinkler with 1000P Valve

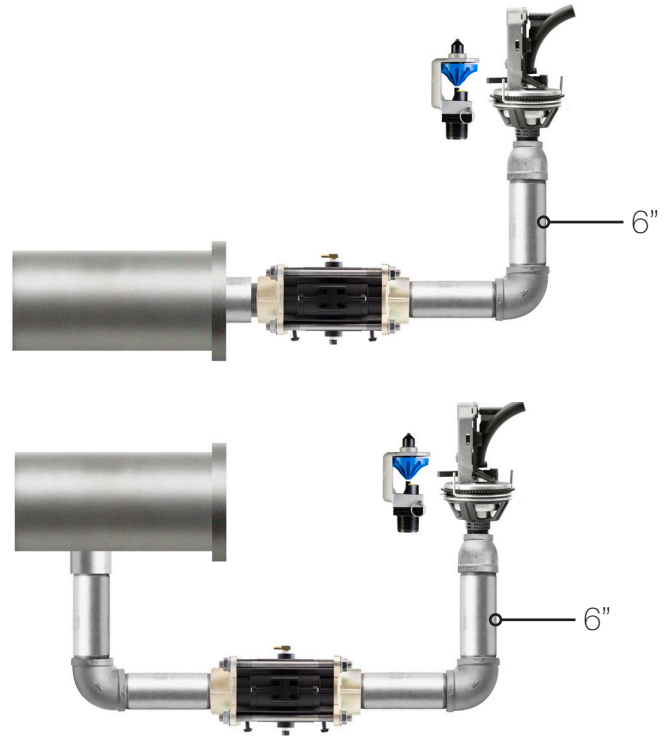
End of Pivot Plumbing Configuration

The lengths shown here are to provide the best sprinkler and valve performance and functional life. Allowable pipe lengths are independent of pipe size (2" pipe shown).

Allowable pipe lengths for R55 Blue or R75 sprinkler with 1000 Series End of Pivot Valves with **METAL** connections.

Valve Models:

1000P-R
1000P-X
1000P-RX

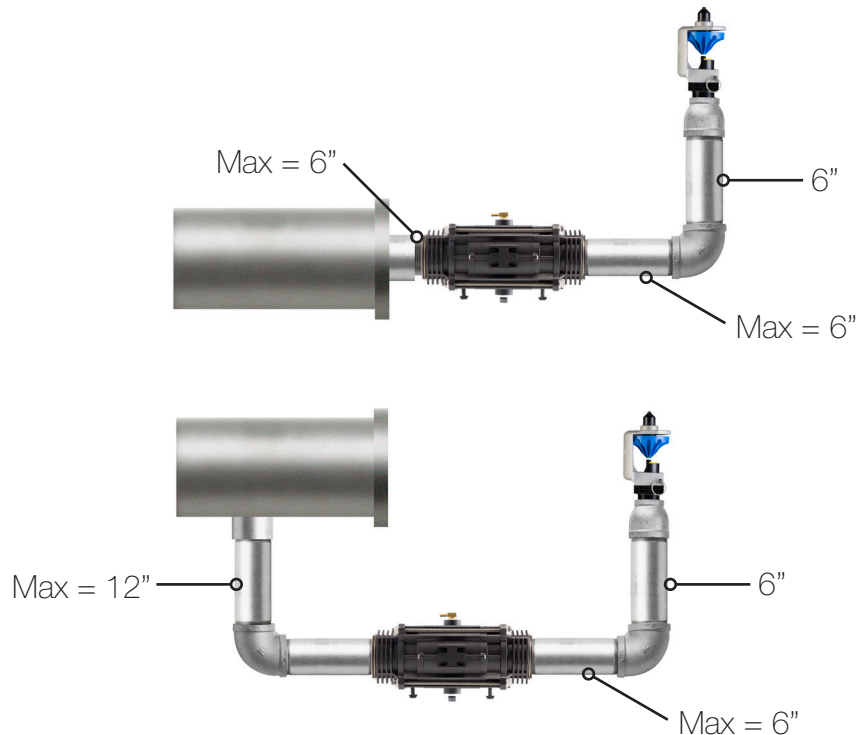


Allowable pipe lengths for R55 Blue sprinkler with 1000 Series End of Pivot Valves with **PLASTIC** connections.

CAUTION: Do not use R75.

Valve Models:

1000P-R
1000P-X
1000P-RX



WARRANTY AND DISCLAIMER: Nelson Irrigation's R55 and R75 End of Pivot Sprinklers and 1000 Series Valves are warranted for one year from date of original sale to be free of defective materials and workmanship when used within the working specifications for which the products were designed and under normal use and service. The manufacturer assumes no responsibility for installation, removal or unauthorized repair of defective parts. The manufacturer's liability under this warranty is limited solely to replacement or repair of defective parts and the manufacturer will not be liable for any crop or other consequential damages resulting from defects or breach of warranty. THIS WARRANTY IS EXPRESSLY IN LIEU OF ALL OTHER WARRANTIES, EXPRESS OR IMPLIED, INCLUDING THE WARRANTIES OF MERCHANTABILITY AND FITNESS FOR PARTICULAR PURPOSES AND OF ALL OTHER OBLIGATIONS OR LIABILITIES OF MANUFACTURER. No agent, employee or representative of the manufacturer has authority to waive, alter or add to the provisions of this warranty, nor to make any representations or warranty not contained herein. This sprinkler may be covered by one or more of the following U.S. Patent Numbers 6,814,305 and 6,827,291 and other U.S. Patents pending or corresponding issued or pending foreign patents.



Nelson Irrigation Corporation
 848 Airport Road,
 Walla Walla WA 99362 U.S.A.
 Tel: 509.525.7660
 nelsonirrigation.com