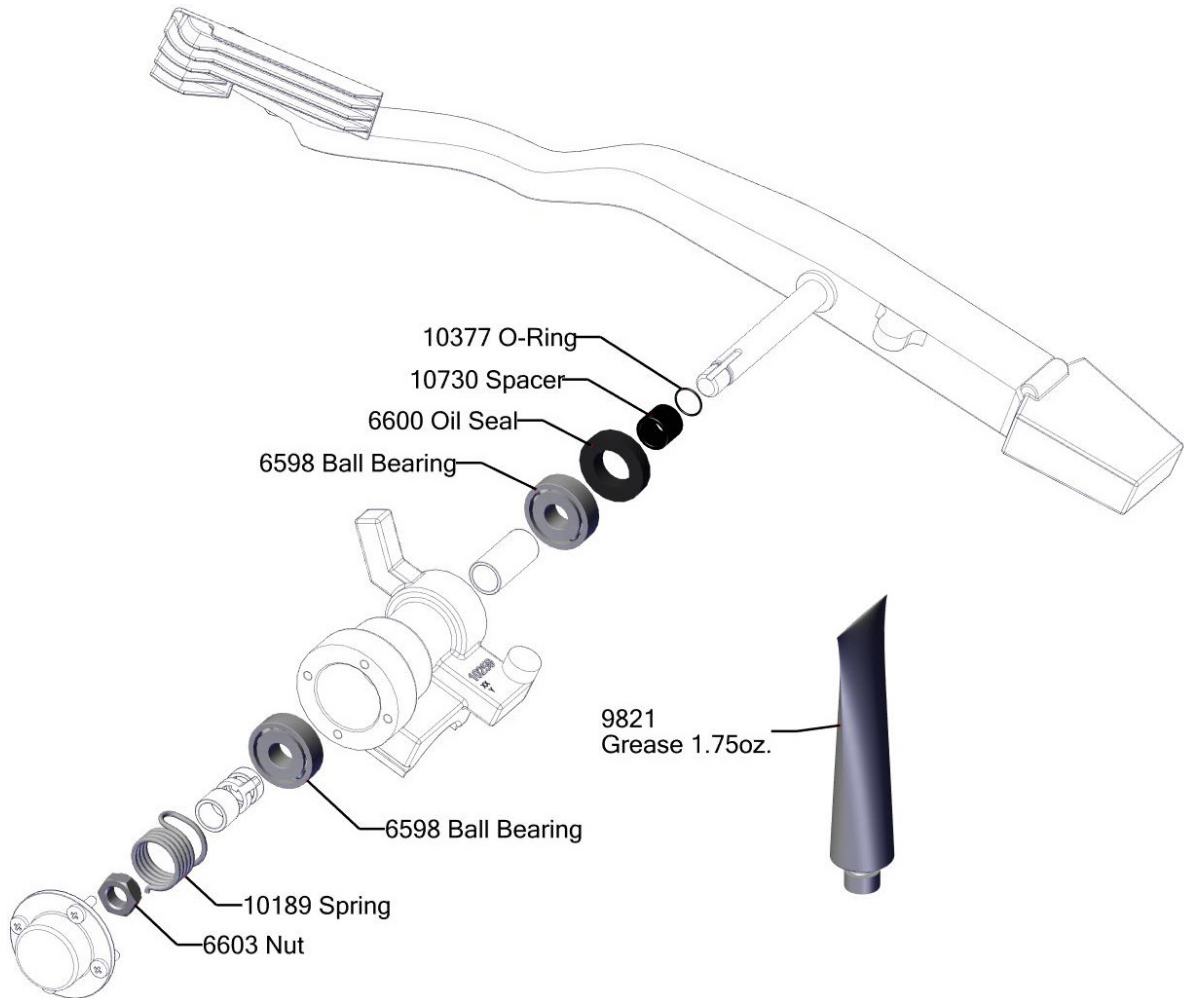


# ORIGINAL BIGGUN

## F75 DRIVE ARM SERVICE KIT

### #11464



Item Number	Description	Qty
11464	SERVICE KIT, F75 DRIVE ARM	1
6600	SEAL, OIL	1
6603	NUT, .4375-20 HEX SPECIAL	1
6598	BEARING, BALL, 12MM X 32MM X 10MM, OPEN	2
9821	GREASE, LUBRIPLATE 130-AA, 1.75 OZ. TUBE	1
10189	SPRING, TORSION - SR75	1
10377	O-RING, NON-STANDARD .459 I.D. X .040 X-SECTION	1
10730	SPACER, TEFLON COATED, DRIVE ARM SHAFT - F75	1

